

JetNet 3706-RJ45

Industrial 6-Port Unmanaged RJ45/IP67 PoE Switch



CE FC RoHS

- Environmentally sealed by IP67 grade protection and ultra rugged enclosure for toughest industrial usages
- Six 10/100 TX auto-negotiation ports with IP67 grade robust RJ45 connectors
- Four out of the six ports support IEEE802.3af PoE standard
- Rugged power interface by M12 connector

Overview

The JetNet 3706-RJ, an IP67 industrial PoE switch, is specifically designed for the toughest industrial environments. JetNet 3706-RJ is constructed of a rugged weather tight aluminum case and equipped with six IP67 rated RJ45 Ethernet ports, which provide a waterproof, and dust-tight connection. Four of the six Ethernet ports are PoE capable. JetNet 3706-RJ extends your power deployment to the most

inaccessible areas.

The JetNet 3706-RJ can be easily adopted in almost all kinds of applications and provides the most rugged solutions for data transmission and power delivering in outdoor, offshore, railway, moving vehicles, factory automation, coal mines, petrochemical factories, food/beverage industries and plant floors.

Ultra-Rugged Enclosure

JetNet 3706-RJ is designed ultra rugged for the toughest industrial usage. The enclosure is made of strong, corrosion resistant, and noncombustible aluminum case. Each enclosure is designed with a thick 50mm top face plate, which makes JetNet 3706-RJ able to survive from constant shock and heavy impact. The aluminum case protects JetNet 3706-RJ against corrosion in environments such as,

offshore, coal mines, and petrochemical factories. The noncombustible property of the case also ensures that the JetNet 3706-RJ will not emit toxic fumes when exposed to extreme high temperatures. This is the most suitable device for applications where hygiene requirements are a real concern, such as food processing, beverage bottling or pharmaceutical manufacturing.

Industrial PoE Switch

IP67/68 Ethernet Switch

Rackmount Managed Switch

Gigabit Switch

Redundant Switch

Entry-Level Switch

Networking Computer

Communication Computer

Ethernet I/O Server

Serial Device Server

Media Converter

Multiport Serial Card

SFP Module

Din Rail Power Supply

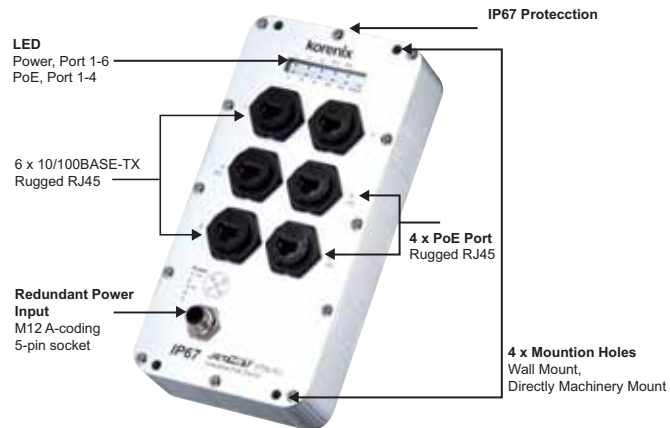
Rugged RJ45 Connector with IP67 Protection for Reliability and Safety consideration

Link reliability is mission critical for PoE technology which relies on a single Ethernet cable to transfer both data and power. However, commercial RJ45 connectors are not designed for harsh environment and usually experienced to link failure and data loss under heavy industrial usages. JetNet 3706-RJ uses rugged IP67 grade RJ45 connectors for greater

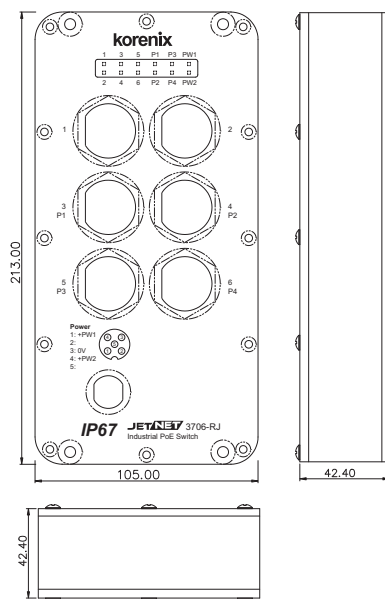
protection against water and dust to eliminate link lost or data failure from constant wash down, vibration and shock. Its sealed design also provides a safe way for delivering power in hazardous locations.

For harsh environments and where traditional power is inaccessible, JetNet 3706-RJ guarantees both a reliable connection and a secured power link.

JetNet 3706-RJ45 Appearance



Dimensions (Unit –mm)



IP67/IP68 Industrial Ethernet Switch

Specification

Technology

Standard:

IEEE 802.3 10Base-T
IEEE 802.3u 100Base-TX
IEEE 802.3af Power Over Ethernet (PoE)
IEEE802.3x Flow control and back pressure
Broadcast storm control

Performance

Switch Technology: Store and Forward with 2.0Gbps switch fabric

System Throughput: 1.785Mpps

MAC Address: 2000

Packet Buffer: 448kbits Embedded packet buffer

Transfer performance: 14,880pps for Ethernet and 148,810 for Fast Ethernet

Transfer packet size: from 64 to 1536 Bytes

PoE Technology: End-Span wiring architecture with AC disconnection behavior

Provides PD classification detection, class ID 0~3 follow IEEE802.3af standard

Pin assignment: V+ (Pin 4, 5), V- (Pin 7, 8), TX (Pin 1, 2), RX (Pin 3, 6)

Interface

Number of Ports:

4 x 10/100Base-TX Ports auto negotiation speed, F/H duplex mode, and auto MDI/MDIX connection with PoE injector

2 x 10/100Base-TX Ports auto negotiation speed, F/H duplex mode, and auto MDI/MDIX connection

Connectors:

10/100TX: Rugged RJ45 with IP67 grade protection
Redundant Power: M12 A-coded male 5 pin connector, Pin assignment (Pin1: V1+, Pin3: V-, Pin4: V2+)

LED Indicators: Power, 10/100M, Link/Acts

Power: Power 1 / Power 2 (Green)

Fast Ethernet: Link (Green) / Activity (Green blinking),

PoE: Power on (Blue)

Cable:

10Base-T: 4-pair UTP/STP Cat. 4, 5 cable,
100Base-TX: 4-pair UTP/STP Cat.5, Cat.5E/Cat.6 cable,

Power Requirements

Power Consumption:

Operating voltage: DC 44~57V
8Watts @ 48V (Maximum) without PD loading

Mechanical

Protection class: IP67

Installation: Wall mount

Case: Aluminum metal case

Dimension: 213.6 mm (H) x 106.0 mm (W) x 56.5.0 mm (D)

Weight: 1025 g without package

Environmental

Operating Temperature: -40 ~ 70°C

Storage Temperature: -40 ~ 85°C

Regulatory Approvals

Safety: CE/EN60950(Pending)

EMI:

FCC Class A; CE/EN55022:2003 Class A

EMS:

EN61000-4-2:1998,ESD
EN61000-4-3:1998, RS
EN61000-4-4:1995, EFT
EN61000-4-5:1995, Surge
EN61000-4-6:1996, CS
EN61000-4-8:PFM

Shock: IEC60068-2-27

Vibration: IEC60068-2-6

Free Fall: IEC60068-2-32

Warranty: 5 years

Industrial

PoE Switch

IP67/68

Ethernet Switch

Rackmount

Managed

Switch

Gigabit Switch

Redundant

Switch

Entry-Level

Switch

Networking

Computer

Communication

Computer

Ethernet

I/O Server

Serial Device

Server

Media

Converter

Multiport

Serial Card

SFP Module

Din Rail

Power Supply

Ordering Information

JetNet 3706-RJ Industrial 6-port Unmanaged RJ45/IP67 PoE Switch

Includes:

- JetNet 3706-RJ
- Field assembleable Rugged RJ45 connector x 6
- Field assembleable M12 A-coding 5-pin connector x 1
- Cap of Rugged RJ45 x 6
- Cap of M12 A-coding 5-pin connector x 1
- Quick Installation Guide
- CD User Manual